

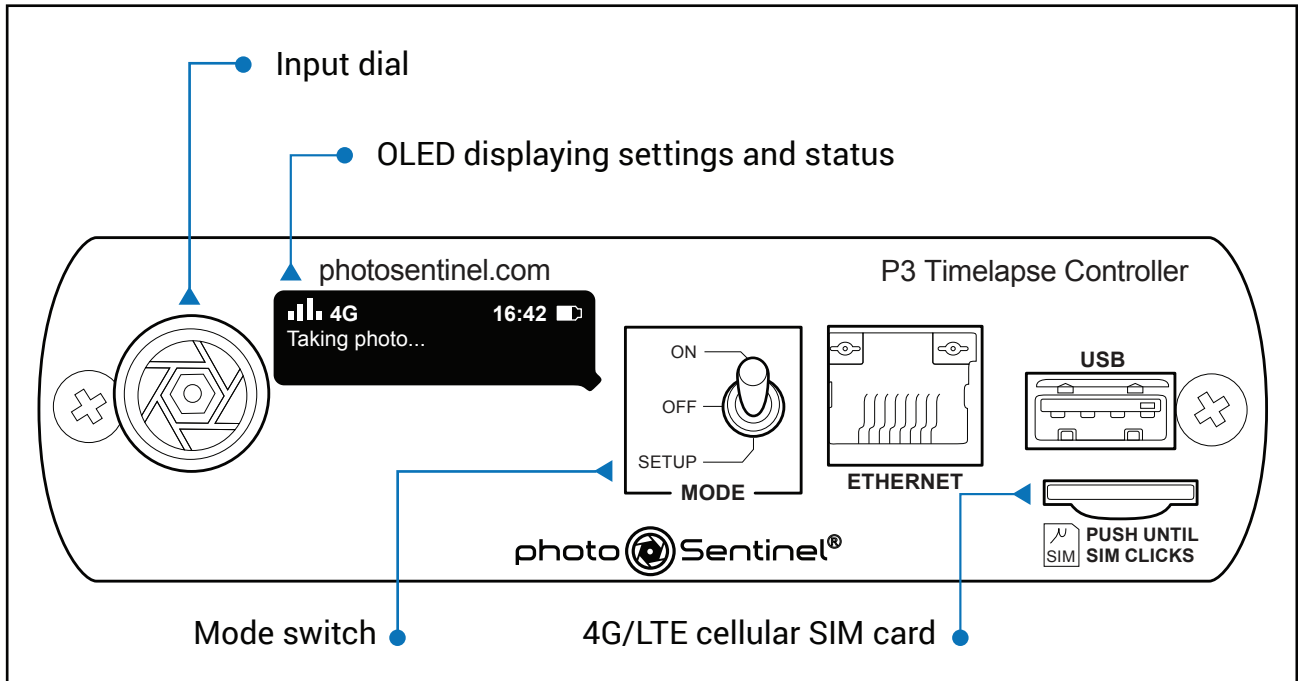
TEMPO

Technical Specifications

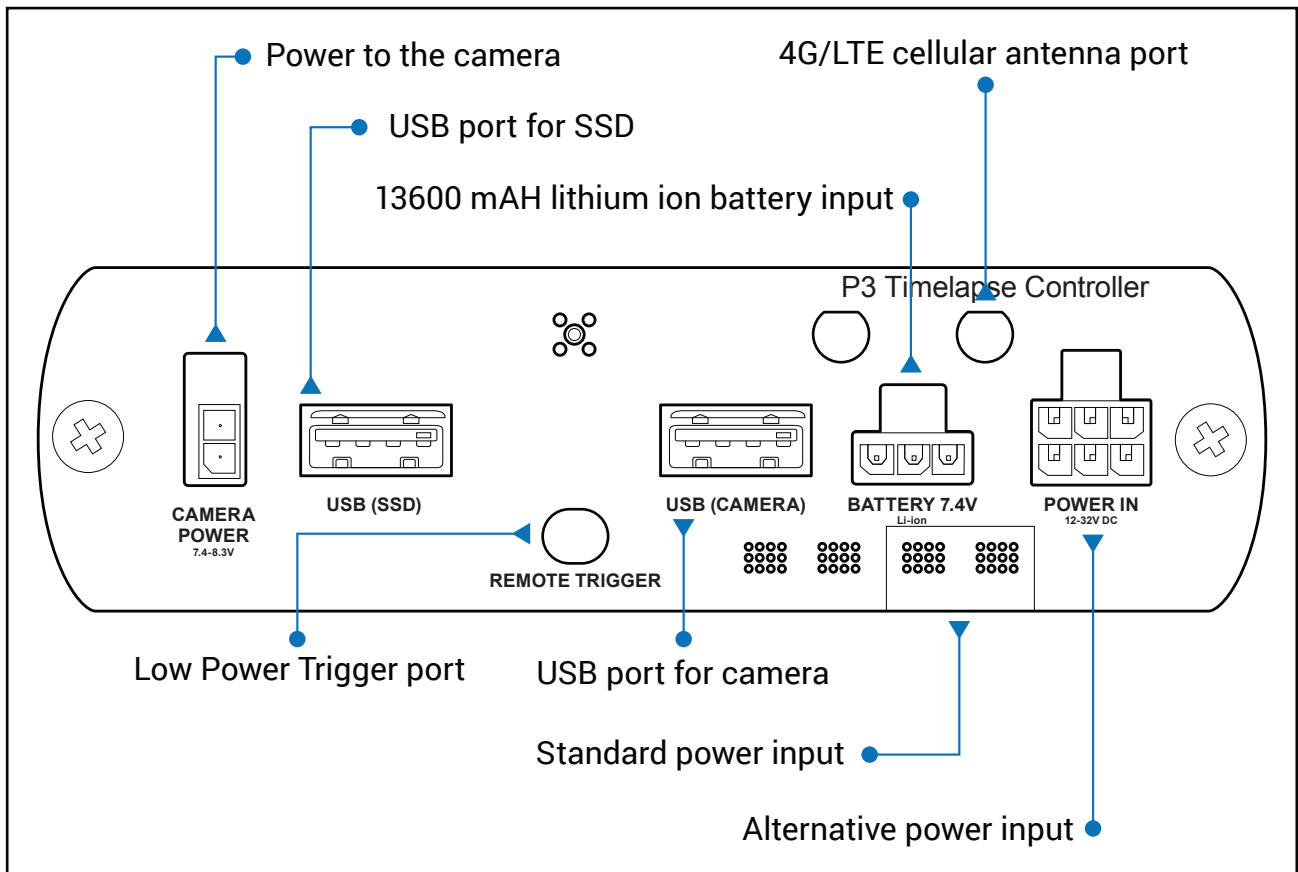


P3 TIMELAPSE CONTROLLER

FRONT FACEPLATE



BACK FACEPLATE



SUPPORTED CAMERAS

CANON

1500D (2000D/Rebel T7)
200D (Rebel SL2)
200D MK II (250D/Rebel SL3)
5D Mark IV

NIKON

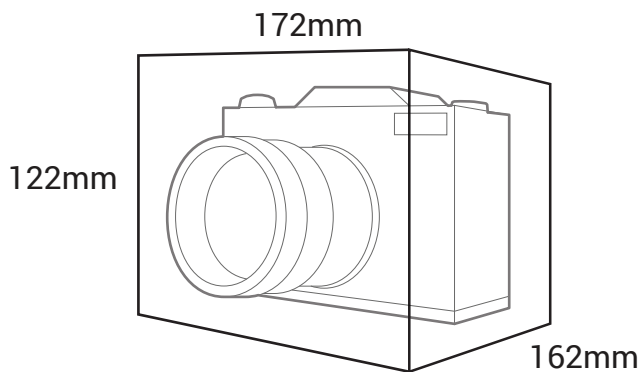
D3500 * * *Incompatible with Low Power Mode.*
D5600 See photosentinel.com/lpm for details.

Other cameras may be technically compatible, but may have technical or feature limitations. Contact us to discuss any non-supported camera requirements.

The most common setup is to use a Canon or Nikon crop sensor DSLR with a Sigma or Tokina wide angle lens.

INTERNAL SPACE

Maximum available space for camera and lens inside standard photoSentinel housing:



Larger camera and lens combinations can be accommodated by our larger Beast housing. Enquire for more details.

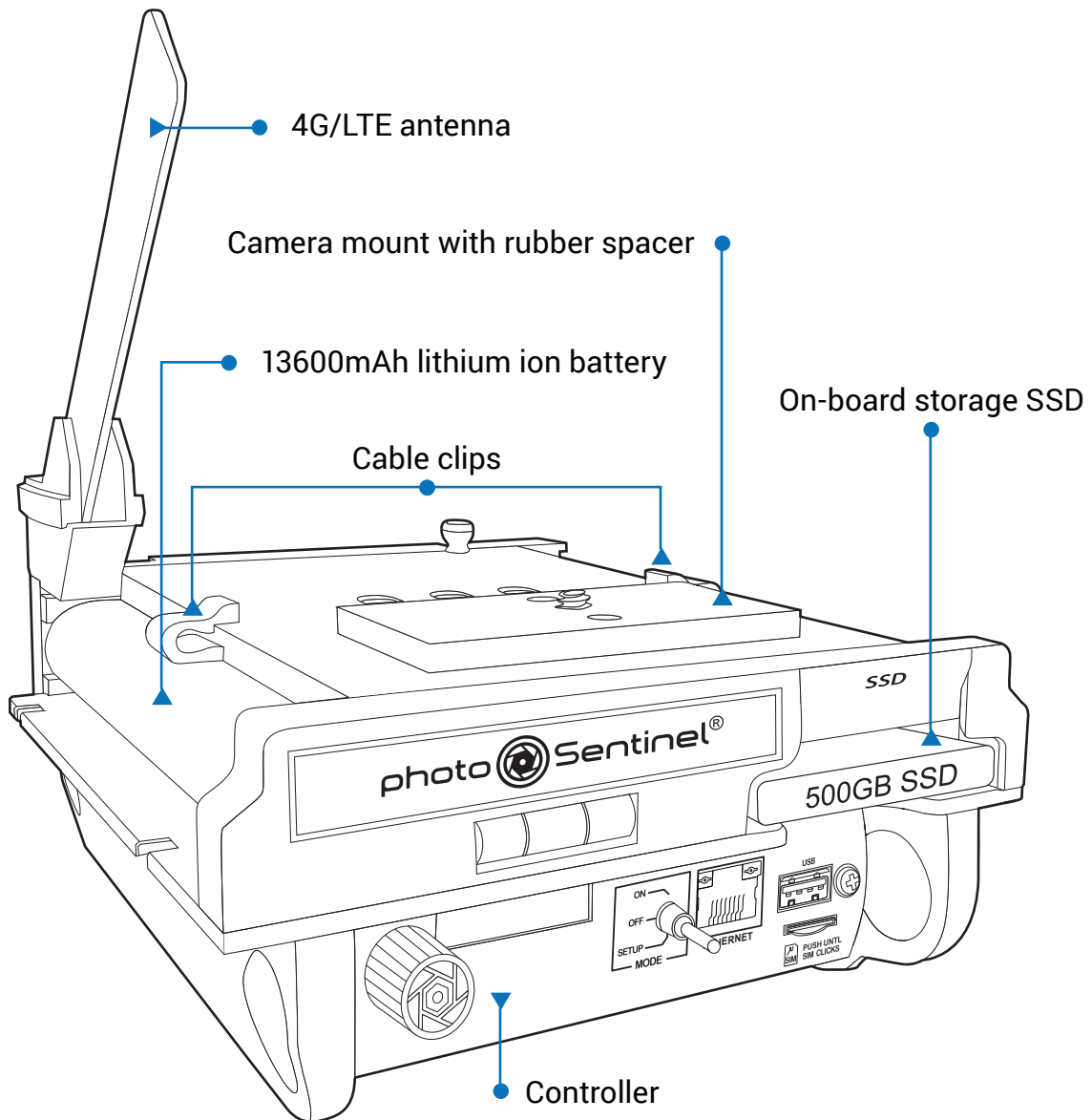
SHOOTING LIMITS

- Shoot and upload each photo: Up to one minute intervals.*
- Shoot without uploading: Up to ten second intervals.**

* Under controlled conditions. Factors such as cellular coverage and image size will affect shooting limits.

** Requires Low Power Mode which is available only on DSLRs with a remote trigger port. Some DSLRs may allow for faster intervals. If you wish to shoot faster intervals, chat with our team to discuss your options.

INTERNAL CARRIAGE



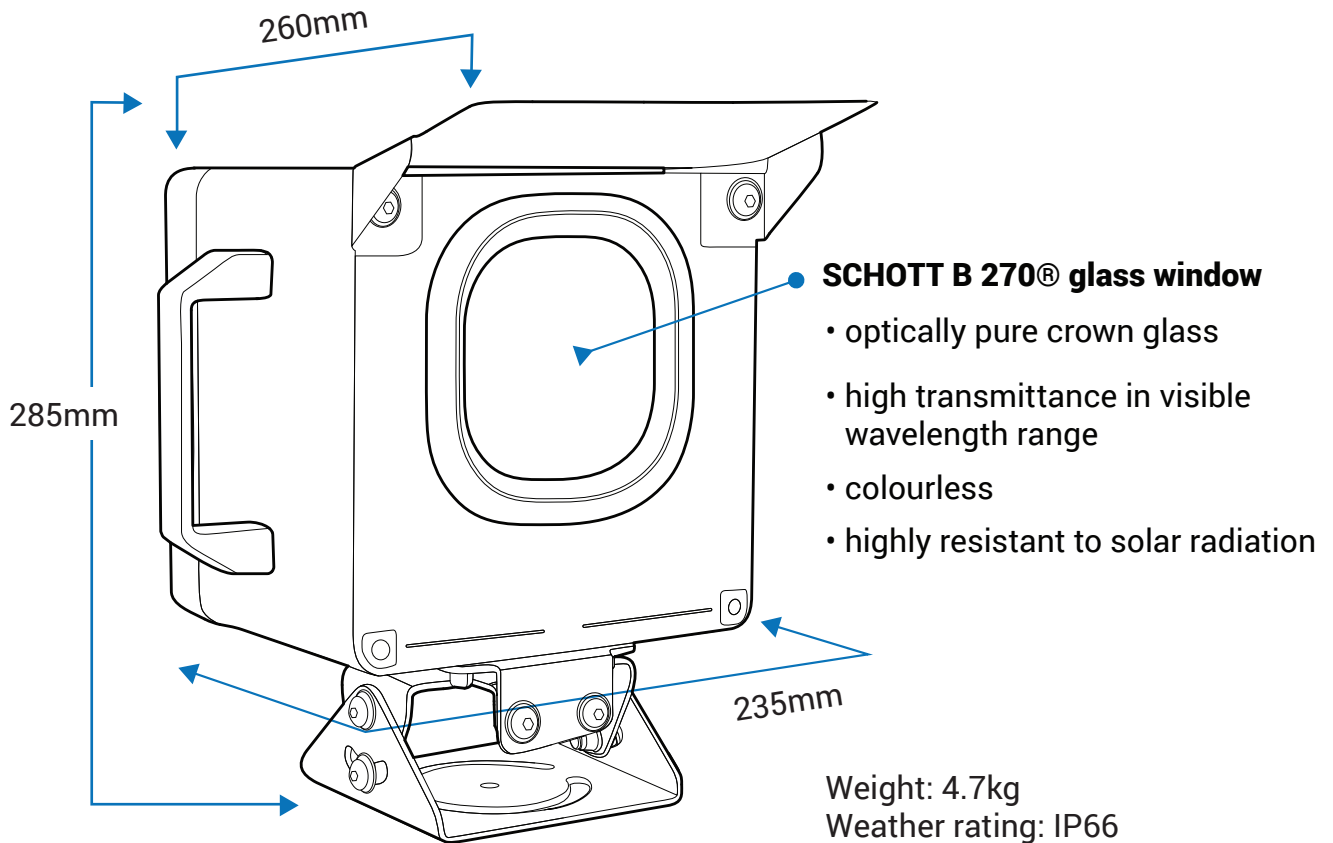
ON-BOARD STORAGE

Industrial-Grade SSD

- Swappable 64GB or 500GB SSD, powered by ATP A600Sc, SATA III 6 GB/s.
- Reliability MTBF @ 25°C: >2,000,000 hours

HOUSING

Compression moulded glass-reinforced polyester, with silicon seal and security bolts.



* Dimensions include handle, visor and 3-axis mount.

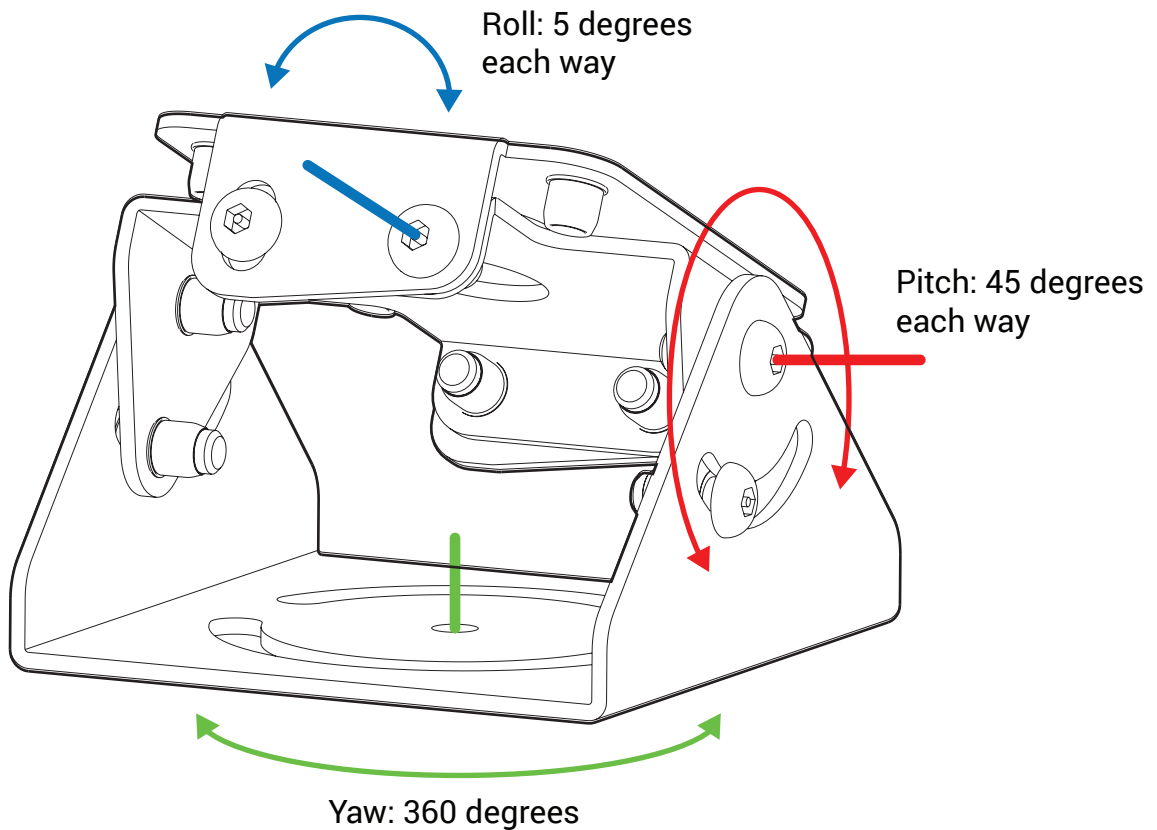
ENVIRONMENTAL RATINGS

- Ingress Protection Marking: IP66 (Dust tight, no water ingress under powerful water jet).
- Electronics control tested from -20°C (-4°F) and up to 60°C (140°F).

MOUNTS

3-AXIS MOUNT

Powder-coated stainless steel.

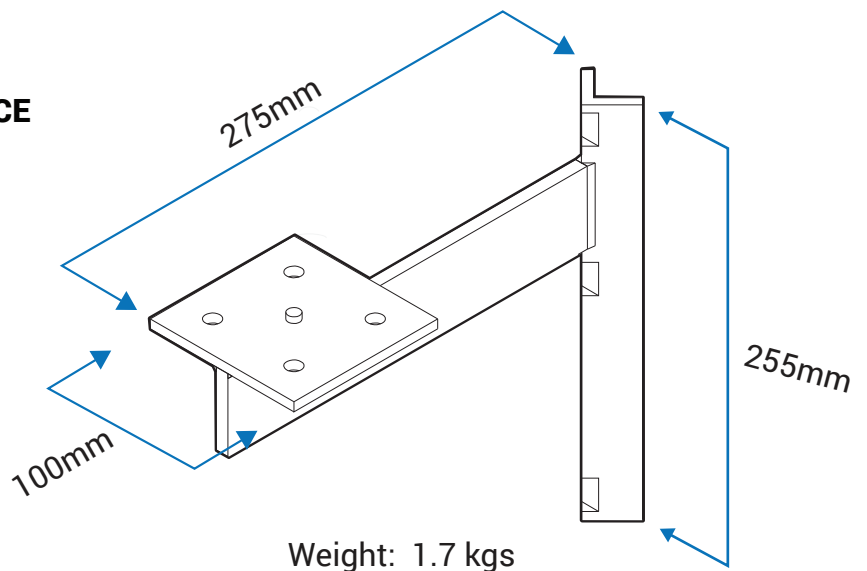


POLE MOUNT

Powder-coated steel.

STRENGTH & WIND COMPLIANCE

- AS4100-1998 Steel structures
- AS4673-2001 Cold formed stainless-steel structures
- AS1170.2-2002 Structural design actions: Wind actions



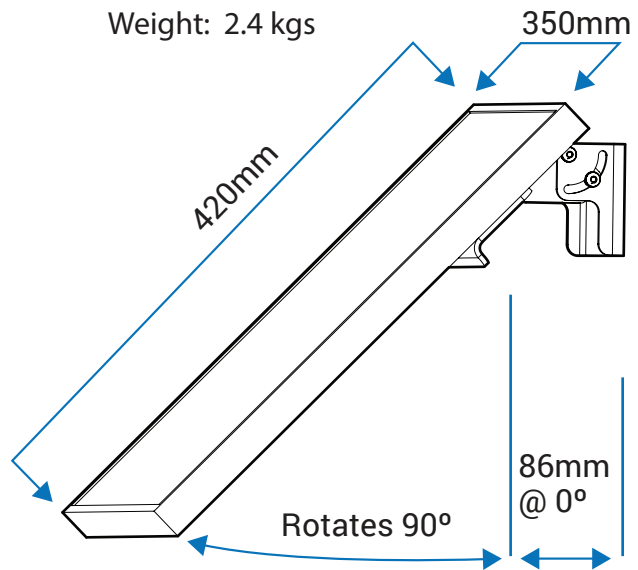
POWER

20W SOLAR PANEL

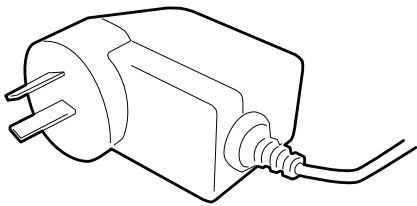
Aluminium panel with powder-coated aluminium brackets.

STRENGTH & WIND COMPLIANCE

- AS4100-1998 Steel structures
- AS1170.2-2002 Structural design actions: Wind actions

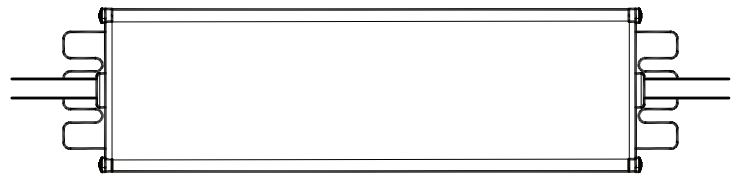
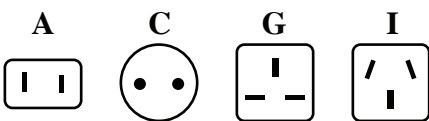


AC CHARGER OPTIONS



Indoor AC Charger

AC input voltage range: 90-264VAC
 Output voltage: 15VDC
 Output power: 15W
 Plug types available:



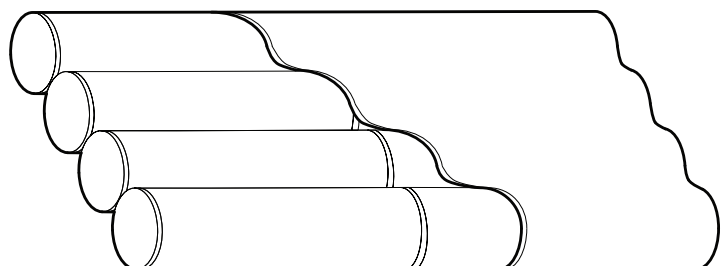
IP-55 Weatherproof AC Charger

AC input voltage range: 100-277VAC
 Output voltage: 19VDC
 Output power: 23W
 Plug types available:



LITHIUM ION BATTERY

- 13600mAh / 7.2V
- 98 watt hours
- Genuine Panasonic NCR18650B lithium ion cells



SHIPPING

MACH II

300mm x 300mm x 300mm

Weight: 8kg*

* *without camera and lens*

20W SOLAR PANEL

490mm x 400mm x 110mm

Weight: 3.3kg

